



* Two Horse Model



STANDARD FEATURES

- 7' Wide (6'6" Inside) 7'6" Tall
- Catalyzed Polyurethane Paint / Catalyzed Two-Part Primer
- Galvanized Roof Bows / Sheeting
- Pre-Primered Tubing
- Interior / Exterior Caulking
- Double Wall Construction w/ Wall Mats
- Camper Door w/ Slider Window & Screen
- Deluxe Vinyl Detailing
- Rubber Dock Bumper
- Interior Lights
- Telescoping Padded Divider
- Swing-Out Saddle Rack



- Aluminum Diamond Plate Fenders
- Water Tank / Boot Box
- Swing-Out Vanity w/ Mirrored Oak Door
- Spare Tire & Wheel
- Rear Loading Light w/ Switch

AVAILABLE IN TWO, THREE & FOUR HORSE BUMPER PULL OR GOOSENECK MODELS

Bigger is Better...When it's not the price!

SPECIFICATIONS

2 HORSE MODEL

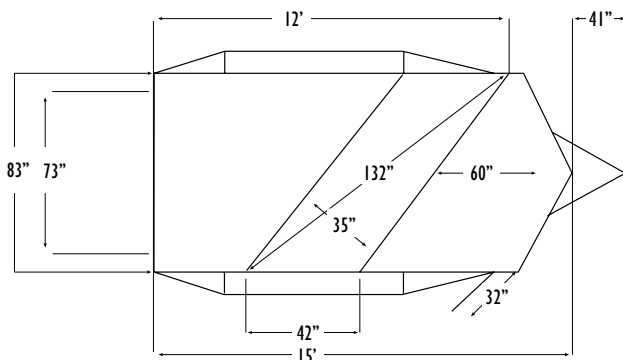
3 HORSE MODEL

4 HORSE MODEL

INSIDE HEIGHT.....	7'6"	7'6"	7'6"
OVERALL HEIGHT.....	8'9"	8'10"	8'10"
INSIDE WIDTH.....	6'6"	6'6"	6'6"
OVERALL WIDTH.....	8'5"	8'5"	8'5"
FLOOR HEIGHT.....	14"	15"	15"
OVERALL LENGTH.....	18'	22'	24'
TRAILER BODY LENGTH.....	14'8"	18'8"	18'8"
TANDEM AXLES.....	3500#	5200#	5200#
WHEELS.....	White Modular 5-Lug	White Modular 6-Lug	White Modular 6-Lug
TIRES.....	ST205/75-15/LR-C	ST225/75-15/LR-D	ST225/75-15/LR-D
COUPLER.....	2 5/16" Bulldog	2 5/16" Bulldog	2 5/16" Bulldog
BRAKES.....	10"- 4 Wheel Electric	12"- 4 Wheel Electric	12"- 4 Wheel Electric
EMPTY WEIGHT.....	3550#	4500#	4675#
HITCH WEIGHT.....	375#	550#	560#
PAYLOAD CAPACITY.....	3450#	5499#	5324#
INTERIOR LIGHTS.....	(4) 2 Dress Room / 2 Horse Area	(4) 2 Dress Room / 2 Horse Area	(4) 2 Dress Room / 2 Horse Area
PORCH LIGHT.....	(1) Tack Room	(1) Tack Room	(1) Tack Room
REAR LIGHT w/ SWITCH.....	(1)	(1)	(1)
BRIDLE HOOKS.....	(6)	(6)	(6)
BLANKET BARS.....	(2)	(2)	(2)
CLOTHES ROD.....	(1)	(1)	(1)
SADDLE RACK.....	(2) Racks / Swing Out	(3) Racks / Swing Out	(4) Racks / Stationary
ALUMINUM DIAMOND PLATE.....	Front & Fender	Front & Fender	Front & Fender
RUBBER DOCK BUMPERS.....	3"	3"	3"
ROOF BOWS.....	w/ Flow Coat Galvanized	w/ Flow Coat Galvanized	w/ Flow Coat Galvanized
FRONT BOWS.....	Pre-Primered Steel	Pre-Primered Steel	Pre-Primered Steel
ELECTROGALVANIZED SHEET METAL.....	#3 Galvanized Finish	#3 Galvanized Finish	#3 Galvanized Finish
LOCKABLE REAR DOOR.....	Single Enclosed	Single Enclosed	Single Enclosed
DOUBLE SEAL CAMPER DOOR.....	(1) w/ 10.5" x 17.5" Slide Window	(1) w/ 10.5" x 17.5" Slide Window	(1) w/ 10.5" x 17.5" Slide Window
REAR WINDOW.....	44" Slider	44" Slider	44" Slider
FEED DOOR WINDOWS.....	(2) 30" x 20" Drop	(3) 30" x 20" Drop	(4) 30" x 20" Drop
TINTED PLEXIGLASS.....	Kickside	Kickside	Kickside
DELUXE VINYL PACKAGE.....	Standard	Standard	Standard
VANITY SHELVING UNIT.....	Mirrored Oak Door	Mirrored Oak Door	Mirrored Oak Door
STOP & TAIL LIGHTING.....	(2) Each Side	(2) Each Side	(2) Each Side
PADDED DIVIDERS.....	(1)	(2)	(3)
FLOOR MATS.....	Full 1/2" Thick	Full 1/2" Thick	Full 1/2" Thick
1/4" WALL MATS.....	Kickwall, Headwall, Back Door	Kickwall, Headwall, Back Door	Kickwall, Headwall, Back Door
SPARE TIRE.....	(1)	(1)	(1)
WATER TANK / BOOT BOX.....	(1)/(1)	(1)/(1)	(1)/(1)

*Standard features are subject to change without notification.

TWO HORSE EDITION



THREE HORSE EDITION

